

CITY OF DE PERE

Engineering Division

925 S. Sixth Street, De Pere, WI | 920-339-4061 | www.deperewi.gov/engineering



December 10, 2024

ADDENDUM NO. 1
PROJECT 24-17
COMMUNITY CENTER UTILITY RELAY

TO: Prospective Bidders

FROM: City of De Pere

Notice is hereby given that the contract documents for Project 24-17 are amended as hereinafter set forth. If you will be submitting a bid for Project 24-17, you must sign this addendum and include it with your submittal.

This addendum consists of 3 pages.

CHANGES TO THE PLANS:

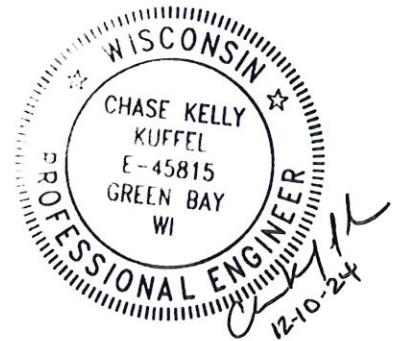
1. Delete sheet C101 and replace with sheet C101R.
2. Delete sheet C403 and replace with sheet C403R.

Sincerely,

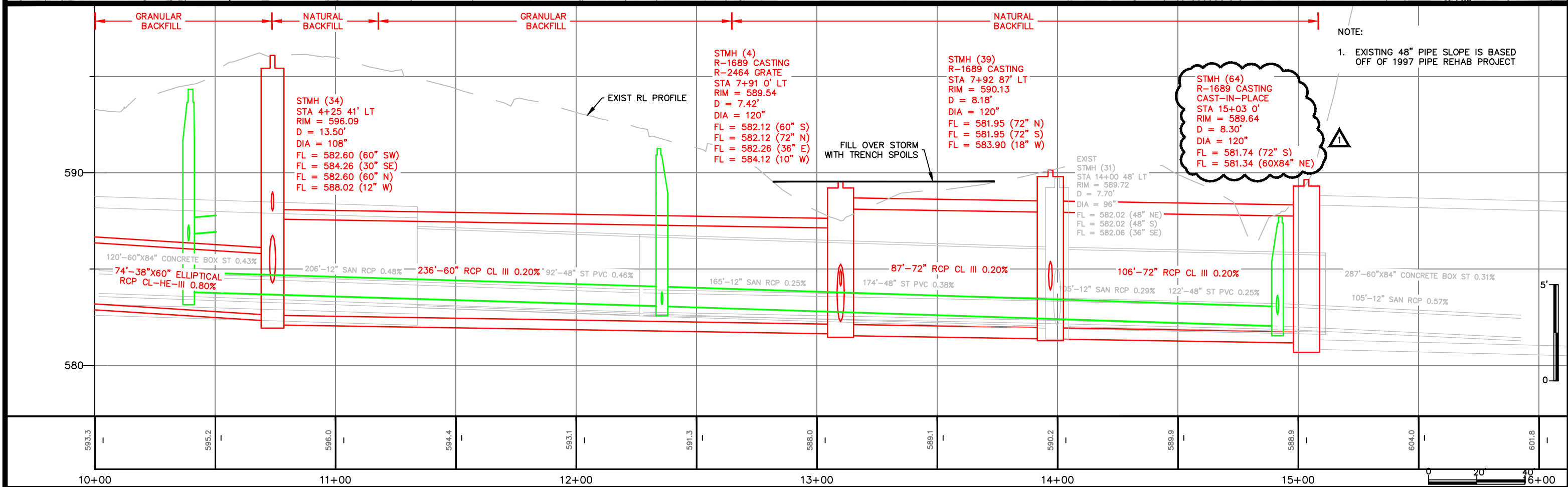
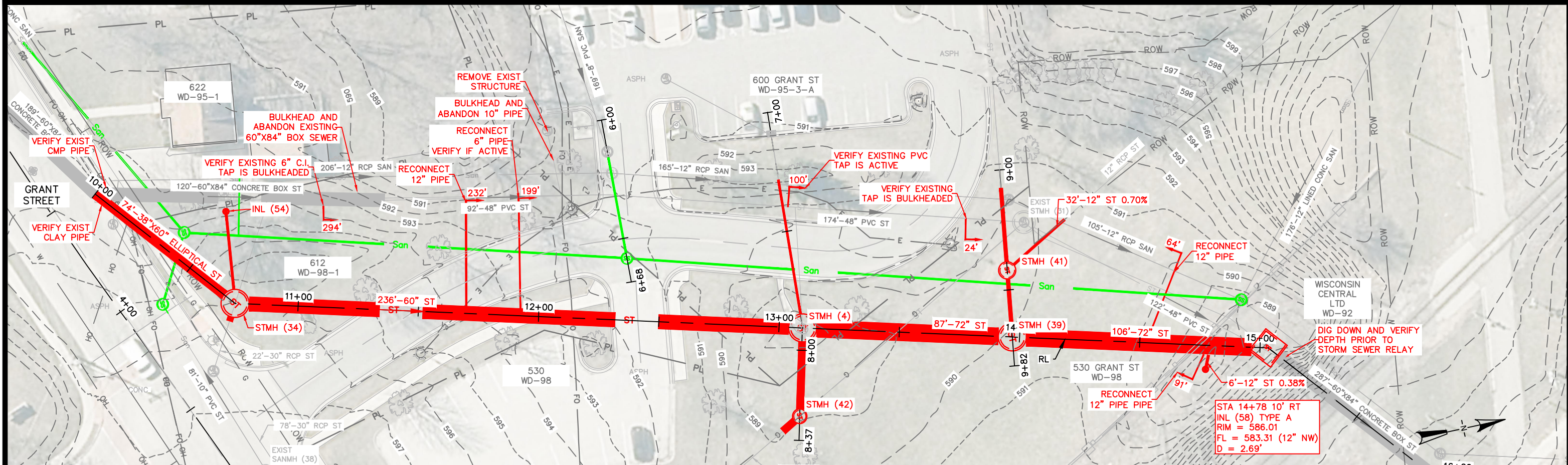
DEPARTMENT OF PUBLIC WORKS

A handwritten signature in black ink, appearing to read "Chase K Kuffel".

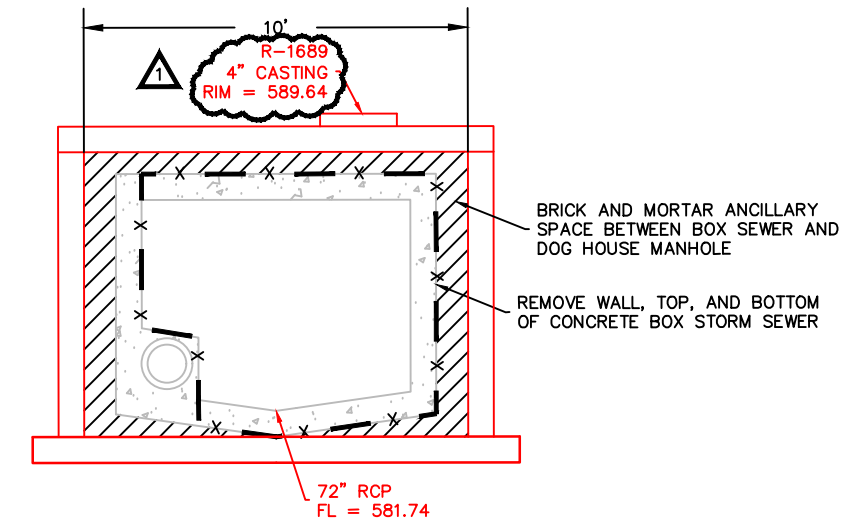
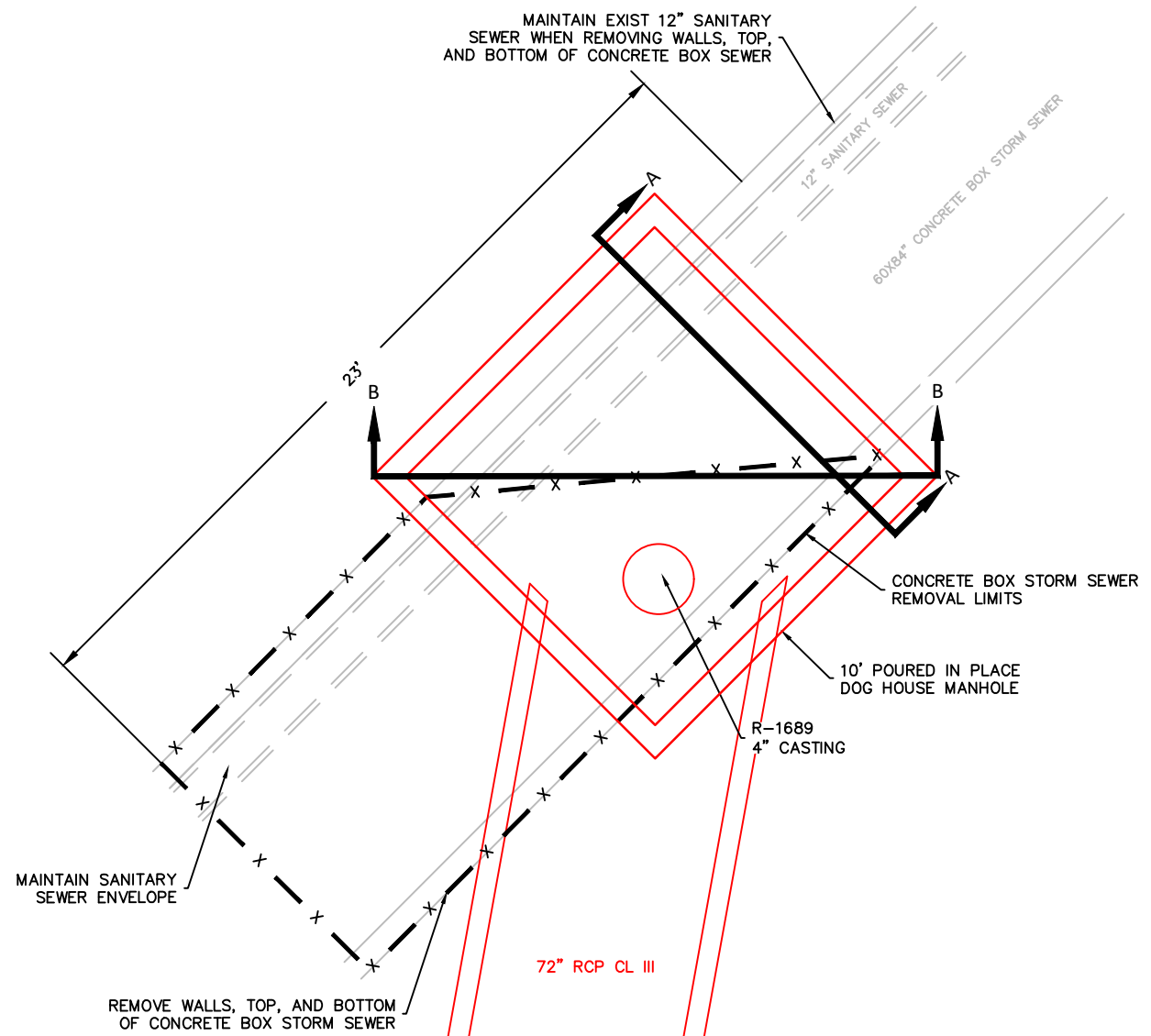
Chase K Kuffel, P.E.
Assistant City Engineer



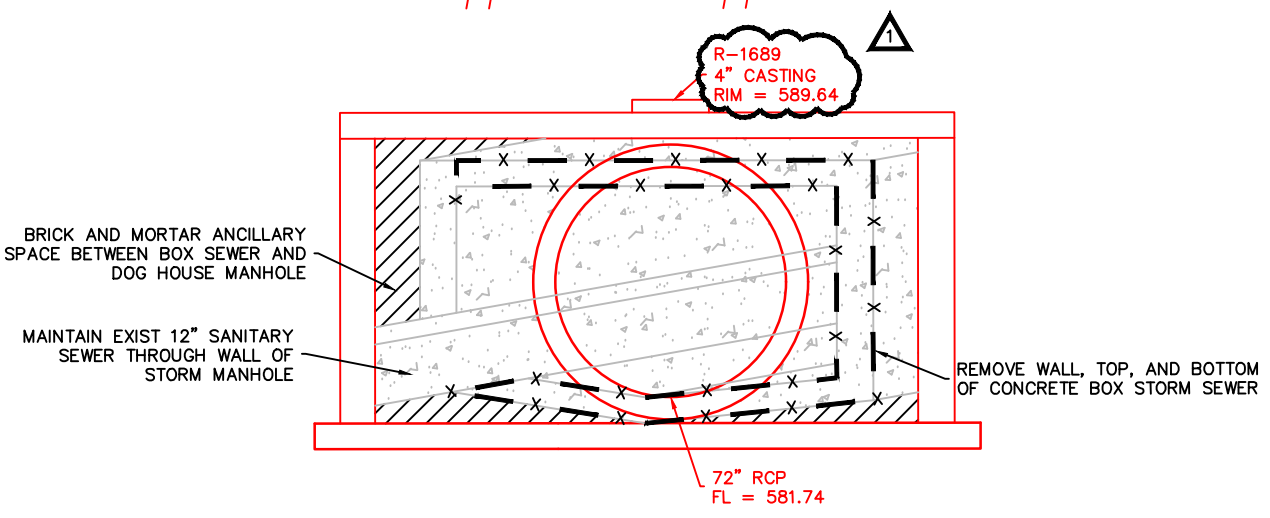
Acknowledged by: _____ Date: _____



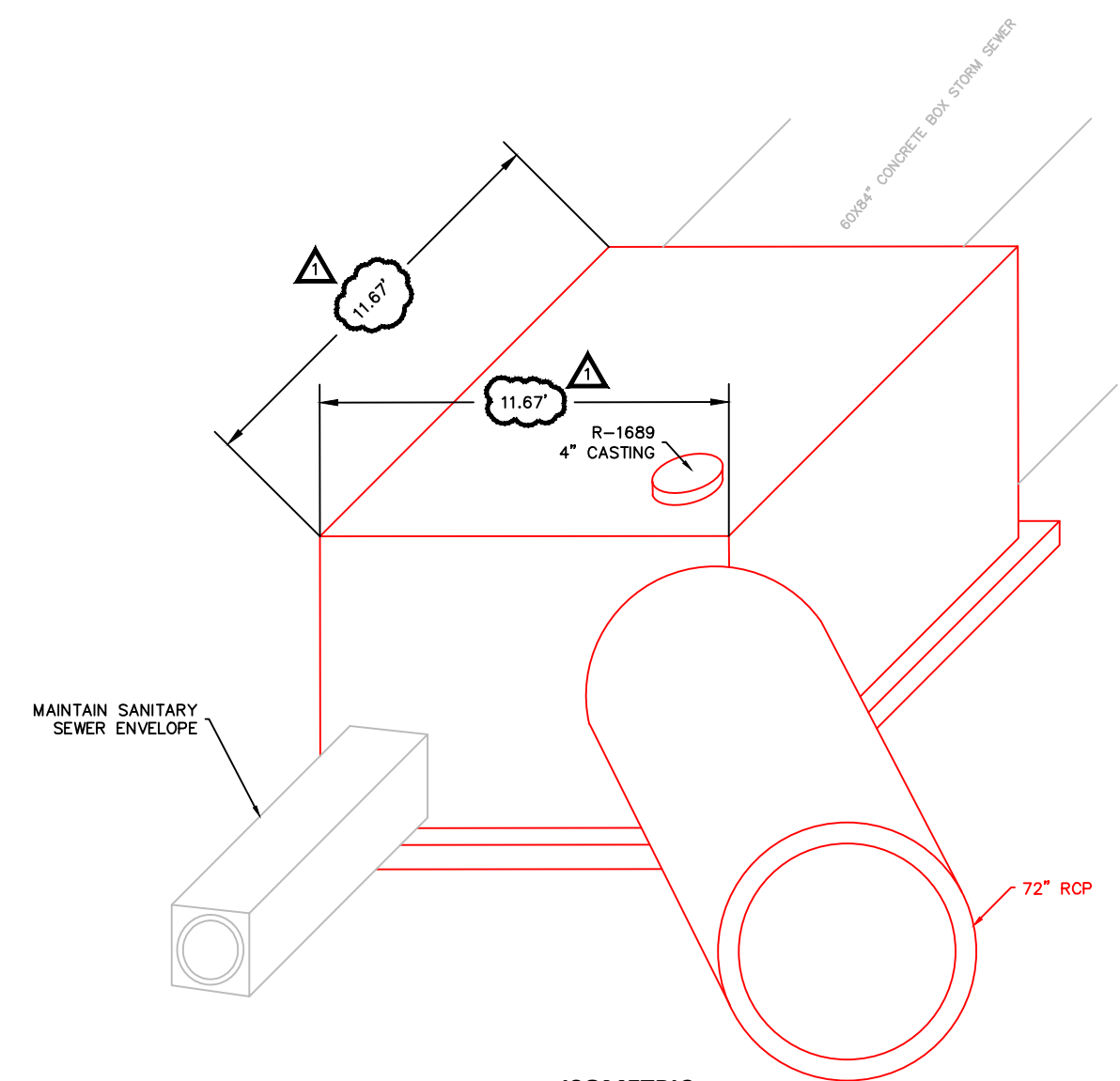
X:\ENG\Projects\City Projects\2024\Project 24-17 Community Center Utility Relay\200-CAD\Comm Center Box Culvert_P&P_1.dwg



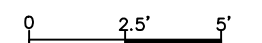
SECTION A-A



SECTION B-B



ISOMETRIC VIEW



NAME: COMMUNITY CENTER UTILITY RELAY PROJECT # 24-17		BY: KAD	DATE: 06-2024
DESIGNED: KAD		DATE: 06-2024	
CHECKED: CKK		DATE: 07-2024	

REVISIONS / ISSUES			
NO.	DATE	BY	REMARKS
1	12/05/24	KAD	DIMENSION AND ELEVATION CHANGES STMH (64)

X:\ENG\Projects\City Projects\2024\Project 24-17 Community Center Utility Relay\1200-CAD\Comm Center Box Culvert_P&P_1.dwg